



Hollister-Whitney's Direct Current Disc Brakes feature a completely enclosed coil, individual spring tension adjustments, and individual stroke adjustments. They are easy to install and adjust.

Operating voltage on Brake Coil is 230 Volts D.C. (115 Volts Optional). When using 230-volt coil, voltage may be decreased to 160 volts for running and holding. For 115-volt coil, voltage may be decreased to 85 volts for running and holding. A.C. to D.C. Rectifier Panels and Transformer available.

Electrical Information

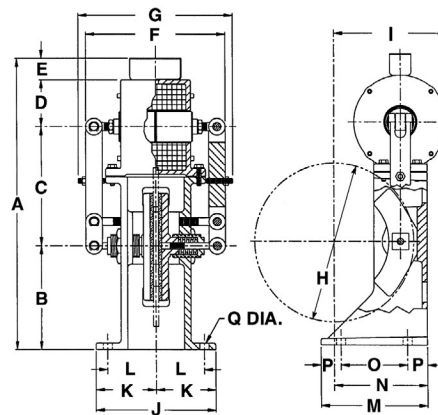
Model 92 (used on 34 machine)	
	Optional Standard
	115V 230V
Ohms	33 138
Amps	3.48 1.66
Watts	400 380

Model 102 (used on 44 & 54 machines)	
Model 112 (used on 64 machine)	
	Optional Standard
	115V 230V
Ohms	46.45 190
Amps	2.44 1.24
Watts	277 292

When Ordering Brakes, Please Specify The Following:

- Speed and Capacity of the Machine
- Distance from the Center Line of the Worm Shaft to the Top of the Bedplate
- Voltage & Type of Motor Control

DIMENSIONS (INCHES)



Brake No.	A	B	C	D	E	F	G	H	I	J	K	L	M	N	O	P	Q	Ship. Wgt.
92	18 5/8	7	7 1/16	2 15/16	1 5/8	8 15/16	11 5/8	10	7 1/16	6 1/4	3 1/8	2 5/8	6	5 5/8	4 1/2	3/4	9/16	85#
102	21 7/8	7 3/4	9	3 1/2	1 5/8	10 1/2	11 5/8	12	8 1/2	9	4 1/2	3 5/8	8	7	5	1 1/2	11/16	95#
112	25 1/2	11 3/8	9	3 1/2	1 5/8	10 1/2	11 5/8	14	9 1/2	9	4 1/2	3 5/8	8	8	5	1 1/2	11/16	100#

H-W EQUIPMENT

Brakes & Accessories

DC Drum Brakes



Hollister-Whitney offers Direct Current Brakes that feature a completely enclosed coil, individual spring tension adjustments, individual stroke adjustments, and pivot shoes with toe and heel adjustments. They are easy to install and adjust (*split frame*).

Operating voltage on Brake Coil is 230 Volts D.C. (115 Volts Optional). When using 230-volt coil, voltage may be decreased to 160 volts for running and holding. For 115-volt coil, voltage may be decreased to 85 volts for running and holding. D.C. Rectifier Panels, Transformer and Split Brake Drums available. Modifications available for non-standard drum diameters and widths.

Electrical Information

Models 80 - 111

	Optional 115V	Standard 230V
Ohms	71	280
Amps	1.63	.82
Watts	189	188

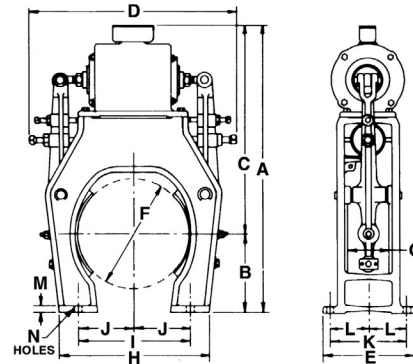
Models 115 - 125-20

	Optional 115V	Standard 230V
Ohms	84	313
Amps	1.38	.73
Watts	160	167

When Ordering Brakes, Please Specify The Following:

- Diameter and Width of Brake Drum
- Distance from the Center Line of the Brake Drum to the Top of the Bedplate
- Voltage
- Control (Single Speed, 2 Speed, V.V., or V.F.A.C.)
- Capacity and Speed
- Amount of Existing Shoe Contact on Drum

DIMENSIONS (INCHES)



Assy. No.	Brake Size	A	B	C	D	E	F	G	H	I	J	K	L	M	N	Ship. Wgt.
80	8H	26 1/8	7 5/16	19	18	8 1/4	8	3 5/8	13 1/2	10	5	7	3 1/2	5/8	9/16	190#
81	8L	24 1/2	5 1/2	19	18	8 1/4	8	3 5/8	14	10	5	7	3 1/2	5/8	9/16	190#
85	9H	26 1/8	7 5/16	19	18	8 1/4	9	3 5/8	13 1/2	10	5	7	3 1/2	5/8	9/16	165#
86	9L	24 1/2	5 1/2	19	18	8 1/4	9	3 5/8	14	10	5	7	3 1/2	5/8	9/16	165#
90	10H	26 1/8	7 5/16	19	18	8 1/4	10	3 5/8	13 1/2	10	5	7	3 1/2	5/8	9/16	160#
91	10L	24 1/2	5 1/2	19	18	8 1/4	10	3 5/8	14	10	5	7	3 1/2	5/8	9/16	160#
95	11H	28 1/2	9 1/2	19	19	9 3/4	11	5 1/8	16 3/4	13	6 1/2	8 1/2	4 1/4	5/8	9/16	190#
96	11L	25 1/2	6 1/2	19	19	9 3/4	11	5 1/8	16 7/8	13	6 1/2	8 1/2	4 1/4	5/8	9/16	190#
100	12H	28 1/2	9 1/2	19	19	9 3/4	12	5 1/8	16 3/4	13	6 1/2	8 1/2	4 1/4	5/8	9/16	190#
101	12L	25 1/2	6 1/2	19	19	9 3/4	12	5 1/8	16 7/8	13	6 1/2	8 1/2	4 1/4	5/8	9/16	190#
105	13H	32 1/4	11 3/8	20 7/8	20	10 1/2	13	5 1/2	19	15 1/4	7 5/8	9	4 1/2	5/8	9/16	215#
106	13L	28 1/4	7 1/2	20 7/8	20	10 1/2	13	5 1/2	19 1/4	15 1/4	7 5/8	9	4 1/2	5/8	9/16	215#
110	14H	32 1/4	11 3/8	20 7/8	20	10 1/2	14	5 1/2	19	15 1/4	7 5/8	9	4 1/2	5/8	9/16	215#
111	14L	28 1/4	7 1/2	20 7/8	20	10 1/2	14	5 1/2	19 1/4	15 1/4	7 5/8	9	4 1/2	5/8	9/16	215#
115	15H	35 5/8	13	20 7/8	23	11	15	6 1/8	20	16	8	9 3/4	4 7/8	5/8	9/16	250#
116	15L	31 5/8	9	20 5/8	23	11	15	6 1/8	20 3/4	16	8	9 3/4	4 7/8	5/8	9/16	250#
120	16H	35 5/8	13	20 5/8	23	11	16	6 1/8	20	16	8	9 3/4	4 7/8	5/8	9/16	250#
121	16L	31 5/8	9	20 5/8	23	11	16	6 1/8	20 3/4	16	8	9 3/4	4 7/8	5/8	9/16	250#
125-18	18L	35 3/8	10 1/2	20 7/8	26 1/2	11 3/8	18	6 1/8	24	20	10	10	5	3/4	13/16	280#
125-20	20L	35 3/8	10 1/2	20 7/8	26 1/2	11 3/8	20	6 1/8	24	20	10	10	5	3/4	13/16	280#

Brakes & Accessories

Brake Shoe Assemblies



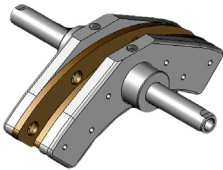
** These brake shoes are available for pick up ONLY, at G.A.L. Bronx, New York. All brake shoes that have to be shipped to various locations must be ordered from Hollister Whitney, Quincy, Illinois.

† L: Low H: high

H-W Part No	GAL Part No	† Shoe Size
80-029A	-	8H/L
85-029A	-	9H/L
90-029A **	BRK-0038N	10H/L
95-029A **	BRK-0039N	11H/L
100-029A **	BRK-0040N	12H/L
105-029A	-	13H/L

H-W Part No	GAL Part No	† Shoe Size
110-029A **	BRK-0041N	14H/L
115-029A	-	15H/L
120-029A **	BRK-0042N	16H/L
125-18	-	18L
125-20	-	20L

Disc Brake Shoe



H-W Part No	Description
92-061	Disc Brake Shoe & Rod Assembly Set (#34 Machine)
102-061-RK	Disc Brake Shoe & Rod Assembly Set (Pre May 30, 2003 Machines)
102-061	Disc Brake Shoe & Rod Assembly Set (After May 30, 2003 Machines)

Brake Panels



10019



10019-T



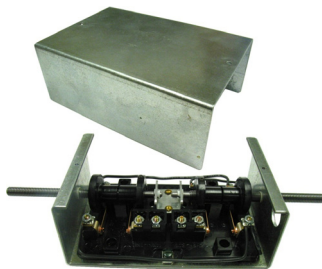
10019-1



10019-1-T

H-W Part No	GAL Part No	Description
10019	BRK-0044N	Brake Panel, Single Phase Rectifier
10019-T	BRK-0045N	Brake Panel, Single Phase Rectifier With Transformer
10019-1	BRK-0046N	Brake Panel, Three Phase Rectifier
10019-1-T	BRK-0047N	Brake Panel, Three Phase Rectifier With Transformer

Disc Brake Monitor



H-W Part No	GAL Part No	Description
102-094	BRK3-0001N	Monitor, Disc Brake, Assembly

Rope Gripper Panel



H-W Part No	GAL Part No	Description
600-150	RG-0082N	Panel, Rope Gripper Auxiliary Controller