



Hollister-Whitney
ELEVATOR CO. LLC

Machine Room Component Guarding

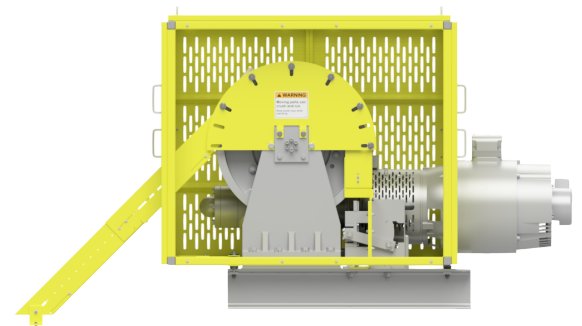
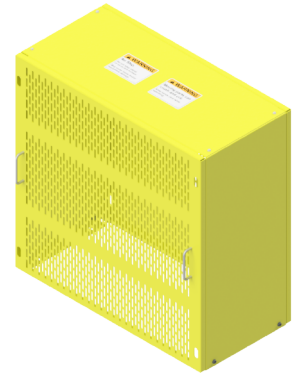
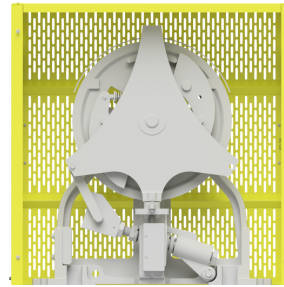
When you're looking for Guarding you have to meet Code, but you're also trying to create a safe work area that offers service mechanics maximum access to efficiently maintain equipment.

Hollister-Whitney offers the safer choice and can deliver big benefits in economy, flexibility, efficiency and convenience. **If you're looking for economy, easy installation, real safety and true ease of serviceability, then call on the guys who built your equipment for your Guarding needs.** We can provide a truly practical solution that does the job and meets your budget in practically no time at all.

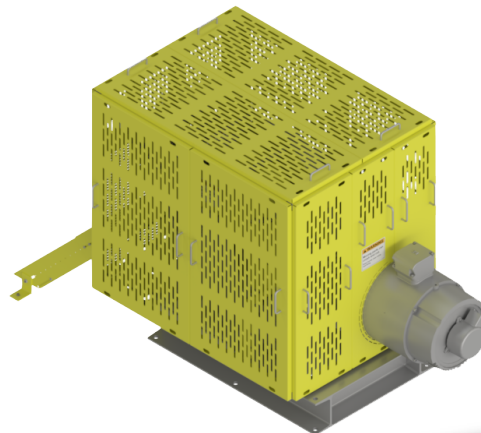
Features

- Comprehensive equipment and personnel protection
- Robust design approved for use with Hollister-Whitney equipment
- Universal design works with any equipment configuration
- Minimal parts for easy installation and usage
- Large easily removable access panels for machine accessibility
- Perforated panels maintain machine visibility
- Field retrofittable on existing installations
- Machine Guards mount on isolators
- Governor Guards shipped fully assembled

Governor Guard



Machine Guard

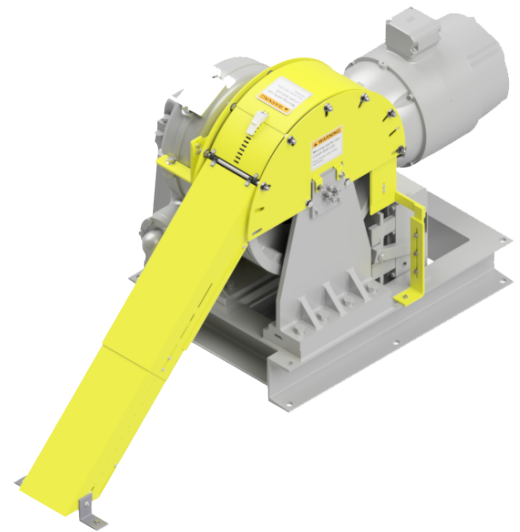


Jump Guard (Rope Retention)

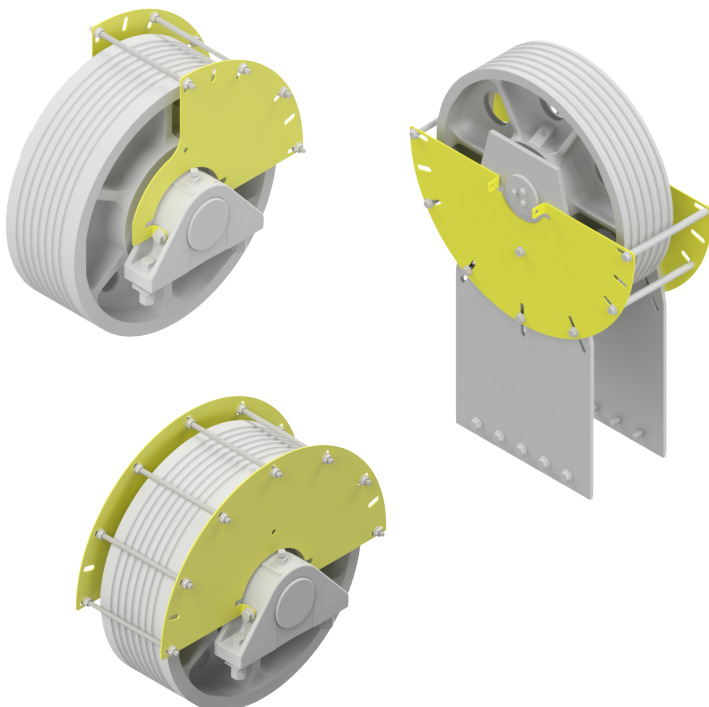
Geared Machine Jump Guard

Features

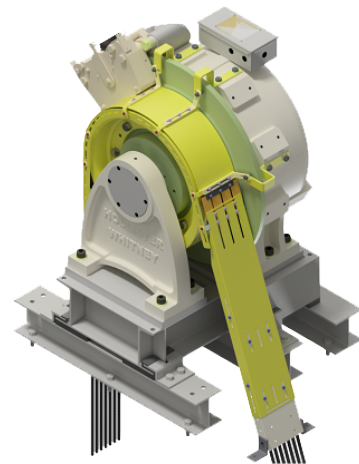
- Robust design approved for use with Hollister-Whitney equipment
- Minimal parts for easy installation and usage
- Universal design works with any equipment configuration
- Adjustable for any arc of contact
- Field retrofittable on existing installations
- Machine Rope Cover for additional protection
- Geared Machine Jump Guard also available without rope protection



Deflector Sheave Jump Guard Counterweight Sheave Jump Guard



Gearless Machine Jump Guard



Hollister-Whitney
ELEVATOR CO. LLC

#1 Hollister-Whitney Parkway
Quincy IL 62305
(217) 222-0466
www.hollisterwhitney.com