

# Rigid Guide Shoes

## CAST IRON AND CAST STEEL CONSTRUCTIONS

Hollister-Whitney offers four models of rigid guide shoes for passenger, freight and counterweight applications. Depending on the model, the liner may be cast iron, nylon or without liner.

Model 371 mounts on a car sling with 5 in. stiles without the need for shoe plates.

Models 375 and 376 will mount on a standard Hollister-Whitney counterweight frame without the need for shoe plates (shoe plates may needed for other frames).

Model 381 will require additional shoe plates.

Number	Max. Capacity	Liner size and material	Rail size	(Set of four)
371-CI*	Passenger / freight 6000 lbs (2727 kg)	6 in. (152 mm) Nylon	5/8 to 1 1/4 in. (16 to 32 mm)	120 lbs (54 kg)
371-CS	Freight 12000 lbs (5454 kg)	6 in. (152 mm) Nylon	5/8 to 1 1/4 in. (16 to 32 mm)	124 lbs (56 kg)
381	Freight 20000 lbs (9091 kg)	10 in. (254 mm) Nylon	1 1/8 to 1 1/4 in. (29 to 32 mm)	250 lbs (114 kg)
375	Counterweight 8000 lbs (3636 kg)	4 in. (102 mm) Nylon or cast iron	5/8 in. (16 mm)	40 lbs (18 kg)
376	Counterweight 12000 lbs (5454 kg)	None	5/8 in. (16 mm)	45 lbs (20 kg)

\*371-CI comes in two different base sizes:

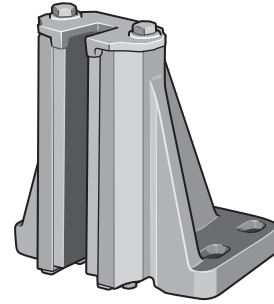
7 3/4 in (197 mm) for 8# rail and 7 1/8 in (181 mm) for 11 to 30# rail - see chart on reverse

Shoe Plate	For Use With	Dimensions	Weight
378-030	Car	6 x 9 1/4 in. (152 x 235 mm)	15 lbs (7 kg)
378-033	Car	8 3/8 x 10 in. (213 x 254 mm)	15 lbs (7 kg)
378-032	Car	10 x 12 in. (254 x 305 mm)	15 lbs (7 kg)

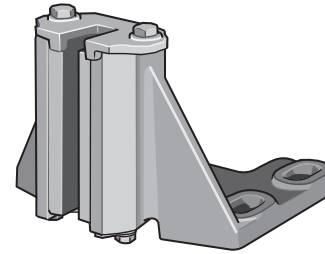
### When ordering, please specify:

- Application (car or counterweight)
- Car capacity and speed
- Shoe plates (if required)

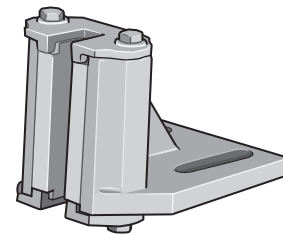
### Model 371 rigid guide shoe for cars



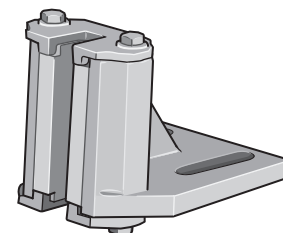
### Model 381 rigid guide shoe for cars



### Model 375 rigid guide shoe for counterweights



### Model 376 rigid guide shoe for counterweights



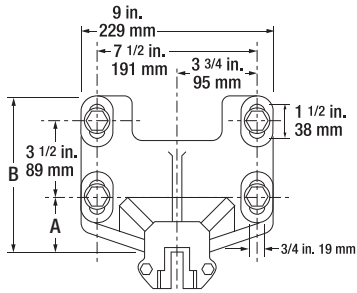
# Rigid Guide Shoes

CAST IRON AND CAST STEEL CONSTRUCTIONS

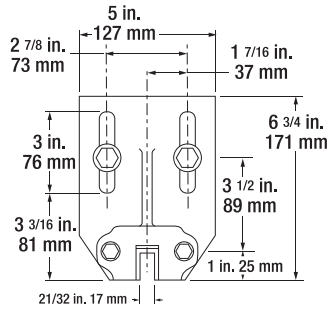


A VANTAGE Company

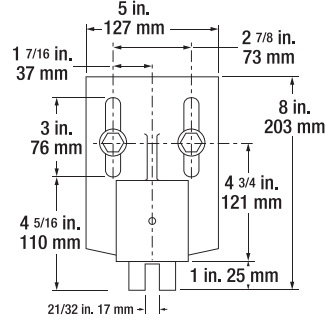
**Model 371**



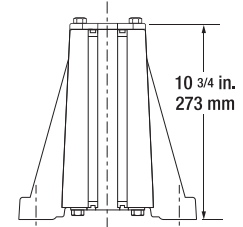
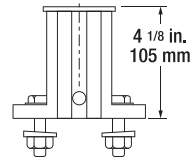
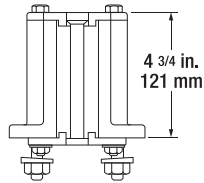
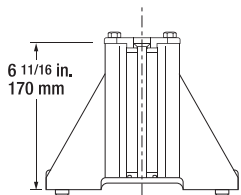
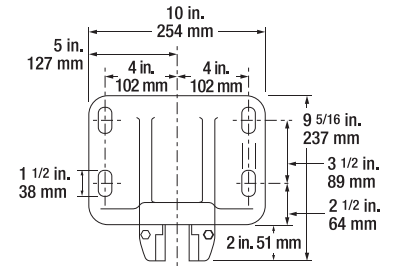
**Model 375**



**Model 376**



**Model 381**



371-CI and 371-CS will accommodate up to 30# guide rails as noted below:

For 8# rail:

dimension A = 3 1/8 in (79 mm)

dimension B = 7 3/4 in (197 mm)

For 11 to 30# rail:

dimension A = 2 1/2 in (64 mm)

dimension B = 7 1/8 in (181 mm)