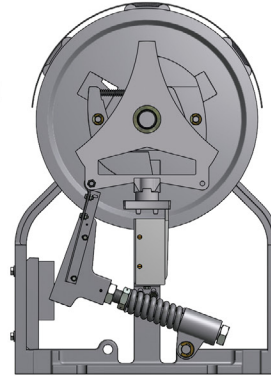


Overspeed Governors & Tension Wts

Overspeed Governor with either standard or live shaft is designed and built to meet both the ASME A17.1 code and G.S.A. specifications. Governor is tested, preset, and sealed at the factory and comes standard with an overspeed switch, rope guard, and right or left hand arrangement

Options (available at an additional charge):

- o Dusttight, watertight, and explosion proof switches
- o Speed reducing switch
- o Bracket hardware for adapting an encoder

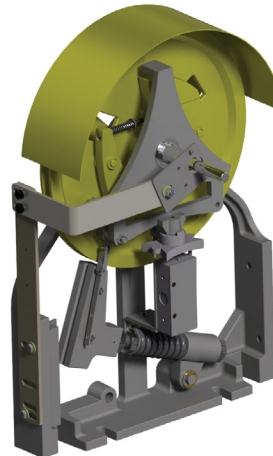


Model 208 (Left Hand Shwon)

	MODELS			
	201 & 202	207	208	210
CAR SPEED FPM (MAX.)	500	500	800	800
TRIP SPEED FPM	625	625	970	970
SHEAVE DIAMETER	16"	12"	16"	16"
OVERSPEED SWITCH	Std.	Std.	Std.	Std.
SPEED REDUCING SWITCH	Optional	Optional	Optional	Optional
ROPE TYPE & SIZE	1/2" or 3/8" 8X19 T.S.	3/8" 8X19 T.S.	1/2" or 3/8" 8X19 T.S.	1/2" or 3/8" 8X19 T.S.
HAND	Right or Left	Right or Left	Right or Left	Right or Left
MAX. PULL-THRU	1200#	1200#	1200#	1200#
MIN. PULL-THRU	300#	300#	300#	300#
SHIPPING WEIGHT	180#	180#	180#	180#

210 Governor Restricted to 650# Hanging Load.

DEAD SHAFT MODELS		
201	207	208
201-SW	207-SW	208-SW
	207-RS	
LIVE SHAFT MODELS (FOR ENCODER MOUNTS)		
202-0.25	207-0.25	210-0.25
202-0.25-SW	207-0.25-SW	210-0.25-SW
202-0.472	207-0.25-RS	210-0.472
202-0.472-SW	207-0.472	210-0.472-SW
202-0.75-SW	207-0.472-SW	210-0.75
202-1.00	207-0.472-RS	210-0.75-SW
202-1.00-SW	207-0.75	210-1.00
	207-0.75-SW	210-1.00-SW
	207-0.75-RS	
	207-1.00	
	207-1.00-SW	
	207-1.00-RS	
SW-Speed Reducing Switch		
RS-Remote Set and Reset Capabilities		



Model 210 (Left Hand Shown)

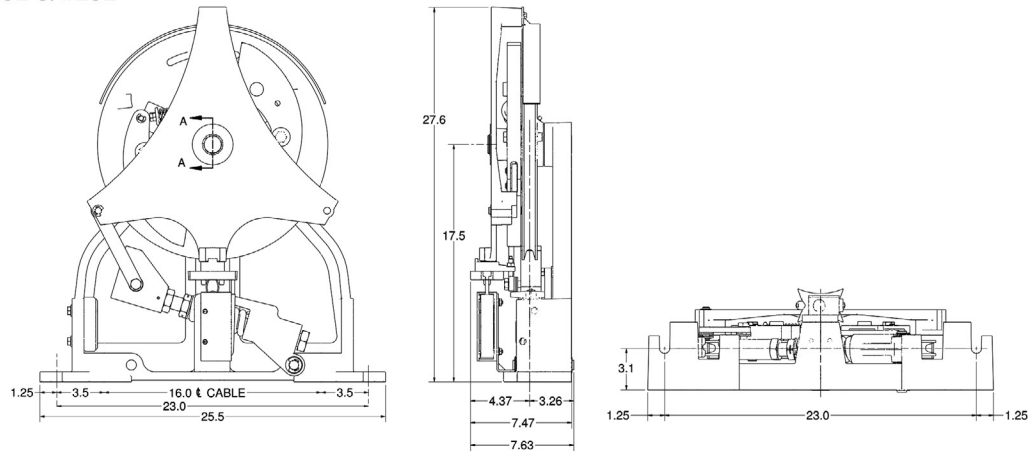
H-W EQUIPMENT

Overspeed Governors & Tension Wts

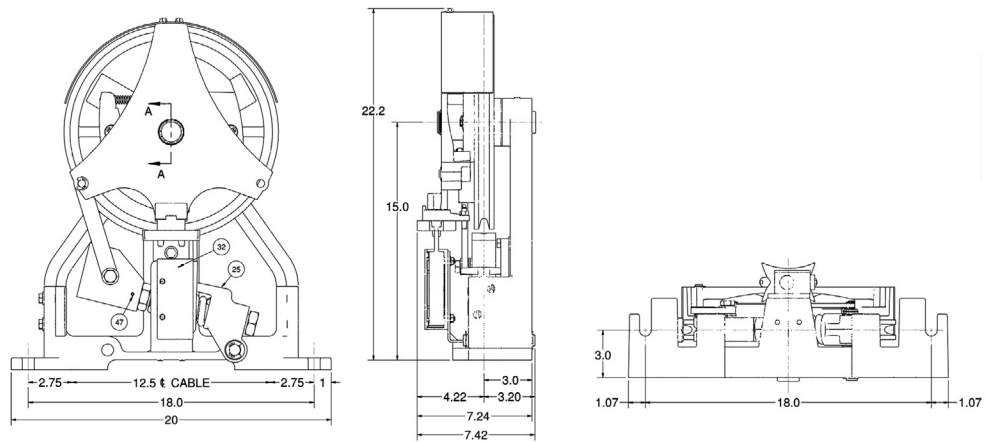
Dimensions (Inches)

Left Hand Models Shown

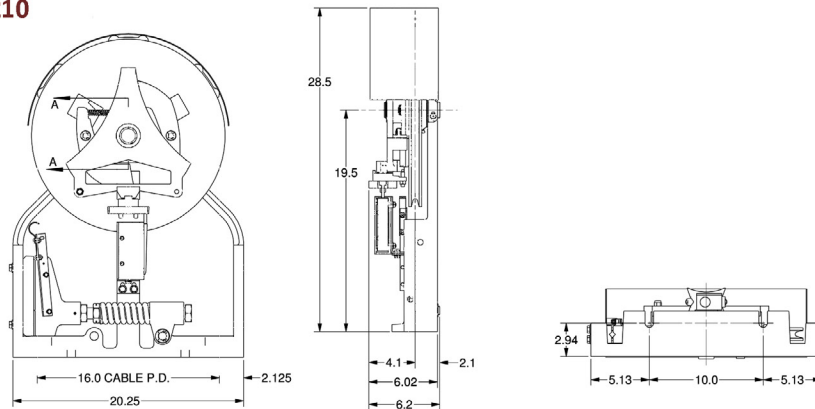
#201 & #202



#207



#208 & #210



Overspeed Governors & Tension Wts

REMOTE TRIP AND RESET GOVERNORS:

207-RS STANDARD & LIVE SHAFT GOVERNORS

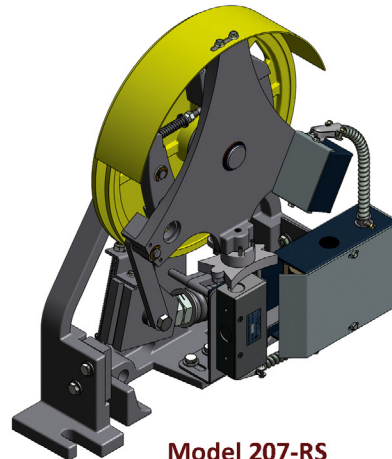
Governor Remote Reset

After the elevator has experienced an overspeed condition in which the governor tripped and set the safety, it will be necessary to reset the systems after the elevator has been deemed safe for operation.

1. To reset the governor hammer, run the car in the up direction. By moving the car up, it will release the tension on the governor rope, and the hammer can be returned to the ready to run position.
2. Once the hammer has been reset, it is necessary to reset the overspeed switch. Provided in the controller is an optional feature that will energize an electric actuator that will reset the overspeed switch to the ready run position.

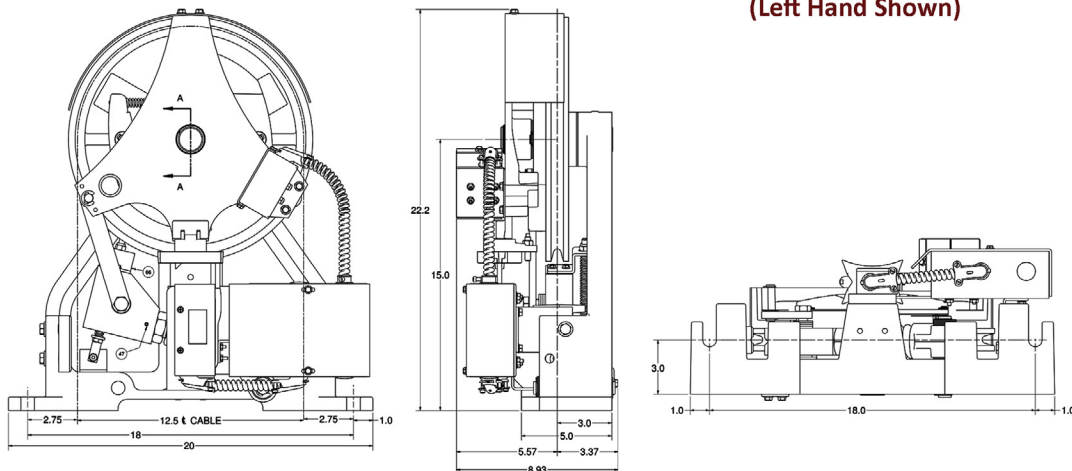
Governor Remote Trip

In a Machine-Room-Less application, if it is necessary to have a method to manually trip the governor for test and inspection purposes, the controller should provide a feature that will activate the speed trip test. For safety purposes, it is recommended that the test first be performed at a slow speed. To perform the test, run the car in the down direction, then activate the feature. This will trigger an actuator on the governor, which in turn will cause the governor to activate and set the safety. Follow the Governor Remote Reset Instructions to return the car to the ready to run state.



**Model 207-RS
(Left Hand Shown)**

Dimensions (Inches)



H-W EQUIPMENT

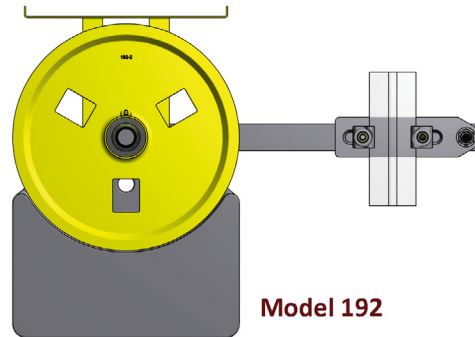
Overspeed Governors & Tension Wts

TENSION WEIGHTS:

- #191 Swing Type - 12" Dia.
- #192 Swing Type - 16" Dia.
- #193 Frame Type - 16" Dia.
- #194 Frame Type - 12" Dia.

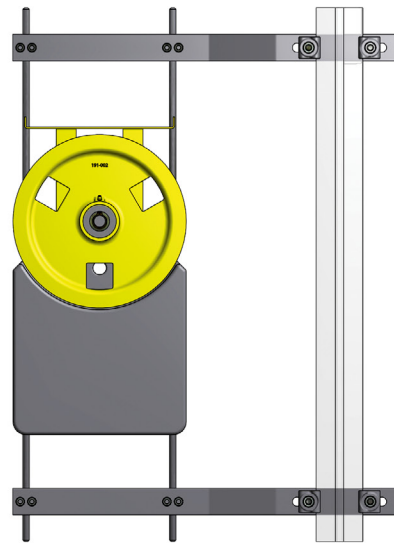
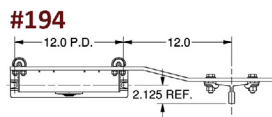
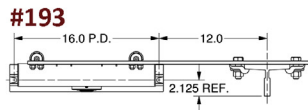
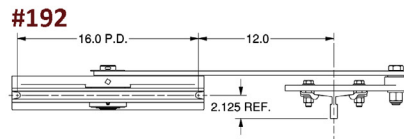
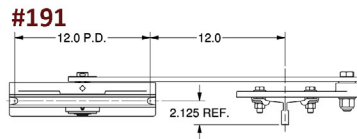
Shipping weight for Tension Weights approximately 160#

Adjustable Arms are available for some models
Guard also available



Model 192

Dimensions (Inches) 8# Rail Arrangement



Model 194

When Ordering, Please Specify the Following:

GOVERNORS:

- Tripping Speed
- Right or Left Hand Arrangement
- Safety Pull-through (in lbs.)
- Governor Rope Size

*NOTE: Maximum car travel for #209 with 3/8" rope is 500'
Maximum car travel for #209 with 1/2" rope is 300'

TENSION WEIGHTS:

- Rail Size
- Governor Size

H-W determines governor hand according to the diagram shown, which is based on governor rope location looking into the hoistway from the hallway.

