

Governors

FOR PIT-MOUNTED APPLICATIONS

The Model 211 governor is for pit-mounted applications. It is for speeds up to 500 ft/min (2.54 meters/sec) and meets all relevant ASME 17.1 specifications.

The 211 includes a guard, overspeed switch, a rope stretch switch, remote reset and a live shaft that accommodates an encoder.

An optional speed reduction switch is available.

The model 211 is paired with a model 195 idler sheave, which is ordered separately.

Options

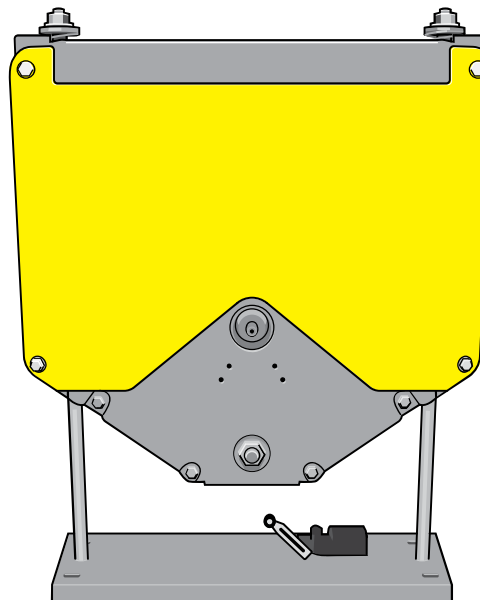
- Dust, water and explosion-resistant switches
- Speed reduction switch
- Encoder bracket hardware

When ordering, please specify:

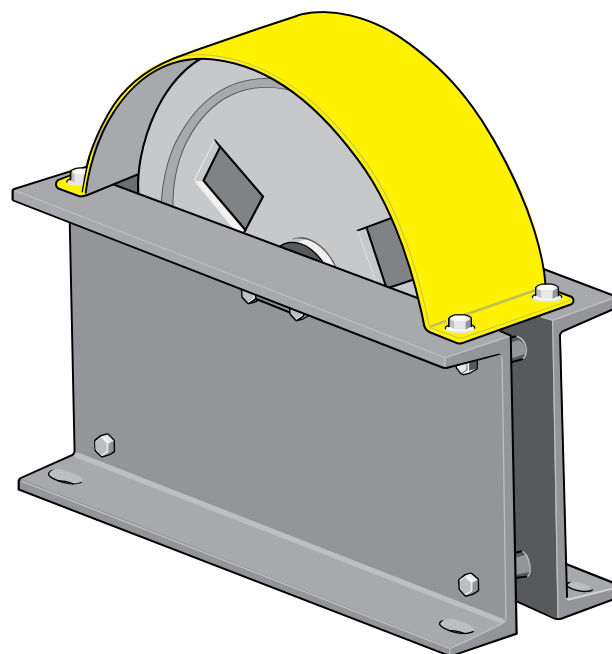
- Car and trip speed
- Rope size
- Safety pull-through in pounds
- Left or right hand configuration- see Figure A on next page

Specification	Model 211 Live Shaft	Model 195 Idler Sheave
Rated speed (max)	500 ft/m (2.54 m/s)	n/a
Tripping speed	625 ft/m (3.14 m/s)	n/a
Sheave diameter	12 in. (305 mm)	
Rope size	3/8 in. (9.5 mm)	
Pull through (max)	800 lbs (363 kg)	
Pull through (min)	300 lbs (136 kg)	
Shipping weight	275 lbs (125 kg)	
Optional configurations	211-0.25 in. 211-0.472 in. 211-0.75 in. 211-1.00 in.	

Model 211



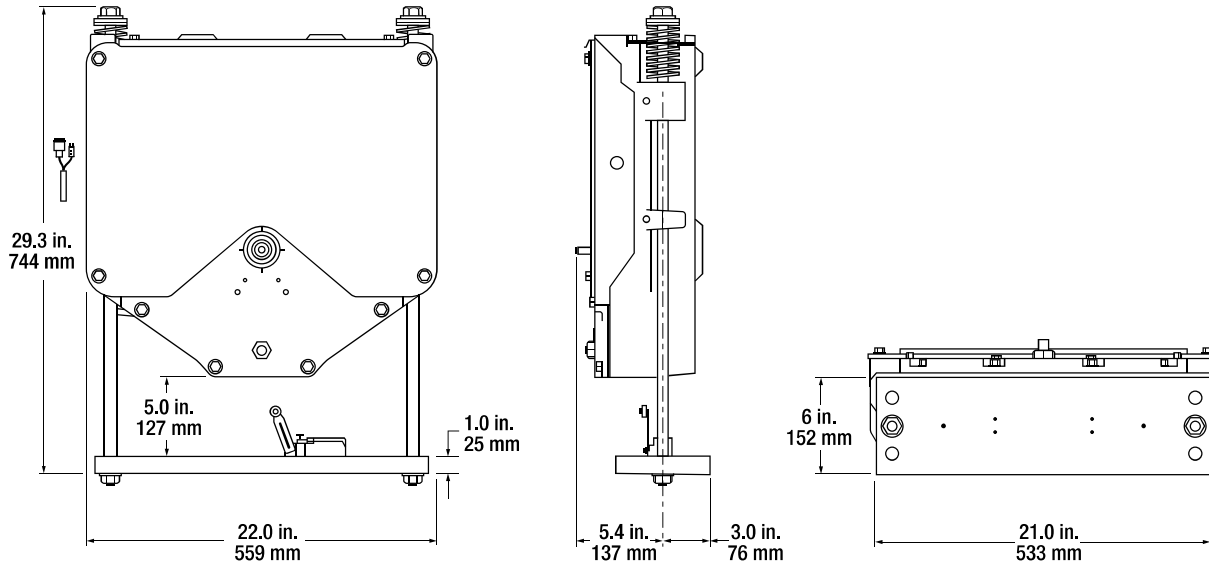
Model 195 Idler Sheave



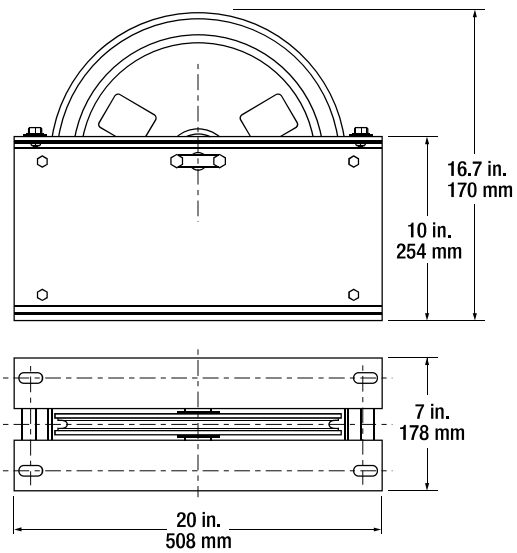
Governors

FOR PIT-MOUNTED APPLICATIONS

Model 211



Model 195 Idler Sheave



"Hand" is determined by looking down to the pit from the lobby based on governor rope location:

